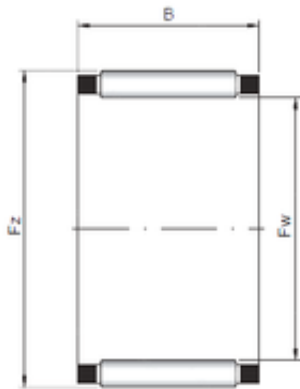




Timken MANUFACTURING (THAILAND)CO.,LTD.

ISO K80x86x30 needle roller bearings



Bearing No. K80x86x30

Size	80x86x30 mm
Bore Diameter	80 mm
Outer Diameter	86 mm
Width	30 mm
Fw	80 mm
Ew	86 mm
B	30 mm

K80x86x30 Bearing 2D drawings and 3D CAD models