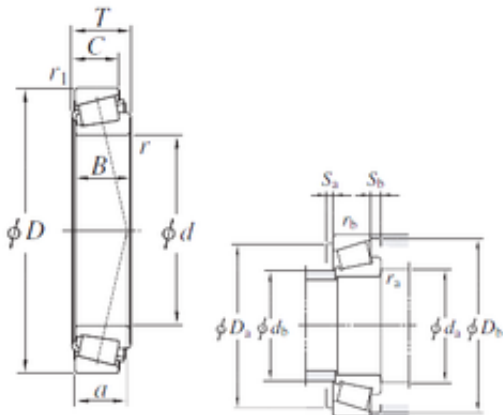




Timken MANUFACTURING (THAILAND)CO.,LTD.

330,2 mm x 415,925 mm x 47,625 mm KOYO
L860049/L860010 tapered roller bearings



Bearing No. L860049/L860010

L860049/L860010 Bearing 2D drawings and 3D CAD models

Size	330.2x415.925x47.625 mm
Bore Diameter	330,2 mm
Outer Diameter	415,925 mm
Width	47,625 mm
d	330,2 mm
D	415,925 mm
T	47,625 mm
B	47,625 mm
C	34,925 mm
a	82,8 mm
r min.	3,6 mm
r1 min.	3,2 mm
da min.	345 mm
Da min	389 mm
Da max.	402 mm
db max.	351 mm
ra max.	3,6 mm
rb max.	3,2 mm
Db	401 mm
Weight	13,8 Kg
Basic dynamic load rating (C)	453 kN
Basic static load rating (C0)	1080 kN
Calculation factor (e)	0,5
Calculation factor (Y0)	0,66