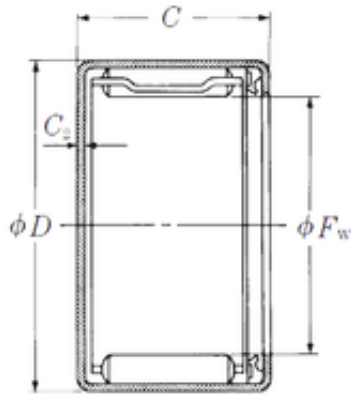




NSK MFJT-1012 needle roller bearings

Bearing No. MFJT-1012



Size	10x14x12 mm
Bore Diameter	10 mm
Outer Diameter	14 mm
Width	12 mm
Fw	10 mm
D	14 mm
C	12 mm
C2	0,8 mm
Weight	0,0046 Kg
Basic dynamic load rating (C)	3,5 kN

MFJT-1012 Bearing 2D drawings and 3D CAD models