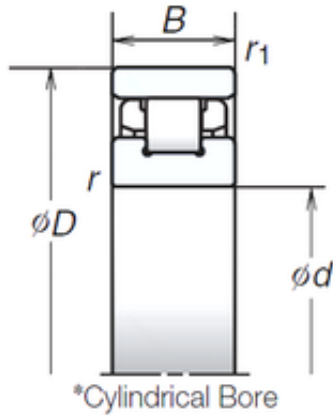




Timken MANUFACTURING (THAILAND)CO.,LTD.

65 mm x 100 mm x 18 mm NSK N1013RXTP cylindrical roller bearings



Bearing No. N1013RXTP

Size	65x91x18 mm
Bore Diameter	65 mm
Outer Diameter	91 mm
Width	18 mm
d	65 mm
D	100 mm
E	91 mm
B	18 mm
C	18 mm
r min.	1,1 mm
r1 min.	1 mm
Weight	0,518 Kg
Basic dynamic load rating (C)	39,5 kN
Basic static load rating (C0)	49 kN
(Grease) Lubrication Speed	16 000 r/min

N1013RXTP Bearing 2D drawings and 3D CAD models