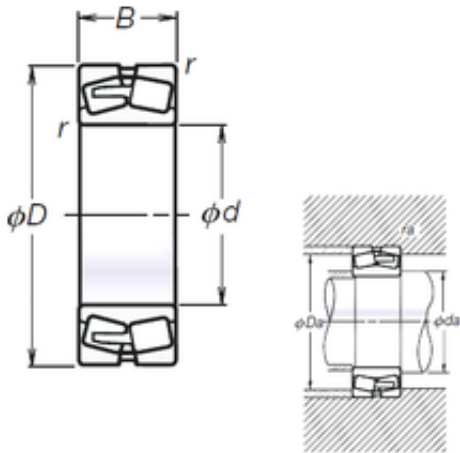




Timken MANUFACTURING (THAILAND)CO.,LTD.



40 mm x 90 mm x 23 mm NSK
21308L11ACAM spherical roller bearings

Bearing No. 21308L11ACAM

Size	40x90x23 mm
Bore Diameter	40 mm
Outer Diameter	90 mm
Width	23 mm
d	40 mm
D	90 mm
B	23 mm
C	23 mm
r min.	1,5 mm
Basic dynamic load rating (C)	82 kN

21308L11ACAM Bearing 2D drawings and 3D CAD models