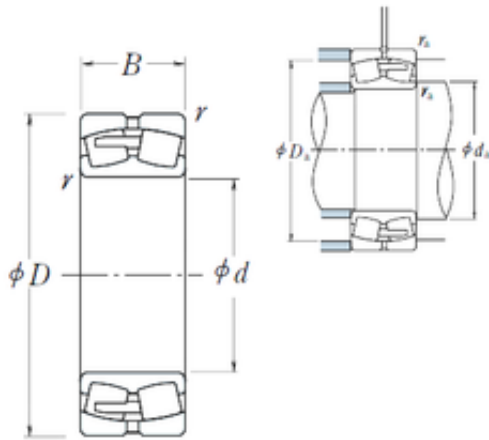




Timken MANUFACTURING (THAILAND)CO.,LTD.



600 mm x 1090 mm x 388 mm NSK
232/600CAE4 spherical roller bearings

Bearing No. 232/600CAE4

232/600CAE4 Bearing 2D drawings and 3D CAD models

Size	600x1090x388 mm
Bore Diameter	600 mm
Outer Diameter	1090 mm
Width	388 mm
d	600 mm
D	1090 mm
B	388 mm
C	388 mm
r min.	9,5 mm
da min.	644 mm
Da min	923 mm
Da max.	1046 mm
ra max.	8 mm
Weight	1590 Kg
Basic dynamic load rating (C)	12700 kN
Basic static load rating (C0)	24900 kN
(Grease) Lubrication Speed	200 r/min
(Oil) Lubrication Speed	260 r/min
Calculation factor (e)	0,36
Calculation factor (Y0)	1,8
Calculation factor (Y2)	2,8