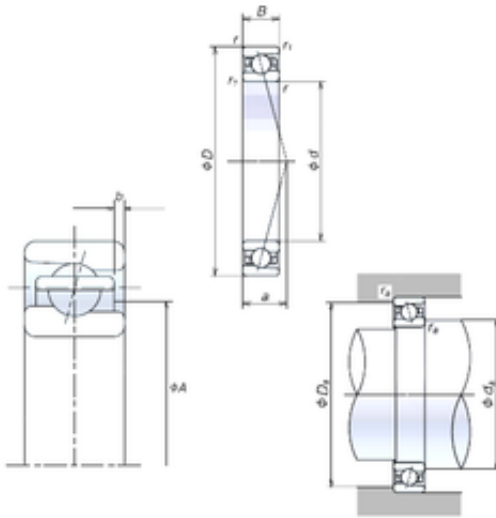




Timken MANUFACTURING (THAILAND)CO.,LTD.



65 mm x 90 mm x 13 mm NSK 65BER19X
angular contact ball bearings

Bearing No. 65BER19X

65BER19X Bearing 2D drawings and 3D CAD models

Size	65x90x13 mm
Bore Diameter	65 mm
Outer Diameter	90 mm
Width	13 mm
d	65 mm
D	90 mm
B	13 mm
C	13 mm
Angle (°)	25 °
a	24,6 mm
b	0,5 mm
r min.	1 mm
r1 min.	0,6 mm
A	73,5 mm
da min.	71 mm
Da max.	84 mm
ra max.	1 mm
Weight	0,181 Kg
Basic dynamic load rating (C)	14,5 kN
Basic static load rating (C0)	12,6 kN
(Grease) Lubrication Speed	24600 r/min