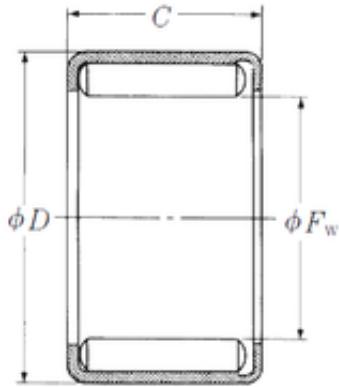




**NSK Y-2416 needle roller bearings**



Bearing No. Y-2416

Size	38.1x47.625x25.4 mm
Bore Diameter	38,1 mm
Outer Diameter	47,625 mm
Width	25,4 mm
Fw	38,1 mm
D	47,625 mm
C	25,4 mm
Weight	0,1 Kg
Basic dynamic load rating (C)	51 kN

Y-2416 Bearing 2D drawings and 3D CAD models