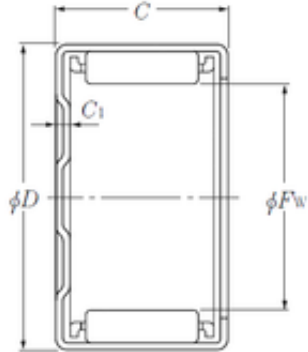




NTN BK0912 needle roller bearings



Bearing No. BK0912

BK0912 Bearing 2D drawings and 3D CAD models

Size	9x13x12 mm
Bore Diameter	9 mm
Outer Diameter	13 mm
Width	12 mm
Fw	9 mm
D	13 mm
C	12 mm
C1	1,6 mm
Weight	0,0045 Kg
Basic dynamic load rating (C)	5,65 kN
Basic static load rating (C0)	6,65 kN
(Grease) Lubrication Speed	18 000 r/min
Dw	1.5 mm
Lw	8.8 mm
Lubrication hole on outer ring	Non/No
Inner ring reference	IR6X9X12
Mass	0.0045 kg
Cr	5.65 kN
C0r	6.65 kN
Nlim (grease)	18,000 rpm
Nlim (oil)	27,000 rpm
Min operating temperature, Tmin	-20 ° C
Max operating temperature, Tmax	120 ° C



## Timken MANUFACTURING (THAILAND)CO.,LTD.

Characteristic cage frequency, FTF	0.43 Hz
Characteristic rolling element frequency, BSF	6.86 Hz
Characteristic outer ring frequency, BPF0	6 Hz
Characteristic inner ring frequency, BRFI	8 Hz
Category	Bearings
Inventory	0.0
Manufacturer Name	NTN
Minimum Buy Quantity	N/A
Weight / Kilogram	0.1
Product Group	B04144