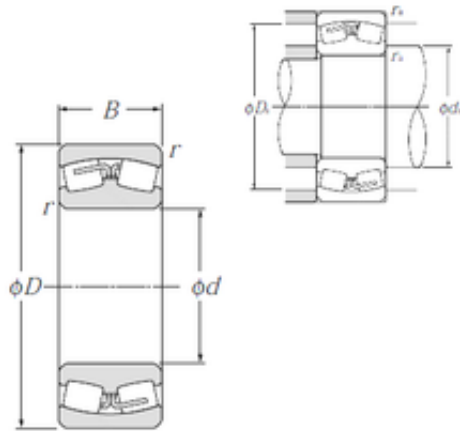




710 mm x 1 150 mm x 345 mm NTN 231/710B spherical roller bearings



Bearing No. 231/710B

Size	710x1150x345 mm
Bore Diameter	710 mm
Outer Diameter	1150 mm
Width	345 mm
d	710 mm
D	1 150 mm
B	345 mm
C	345 mm
r min.	9,5 mm
da min.	754 mm
Da max.	1 106 mm
ra max.	8 mm
Weight	1 420 Kg
Basic dynamic load rating (C)	11 600 kN
Basic static load rating (C0)	24 900 kN
(Grease) Lubrication Speed	220 r/min
(Oil) Lubrication Speed	280 r/min
Calculation factor (e)	0,29
Calculation factor (Y0)	2,27
Calculation factor (Y1)	2,32

231/710B Bearing 2D drawings and 3D CAD models