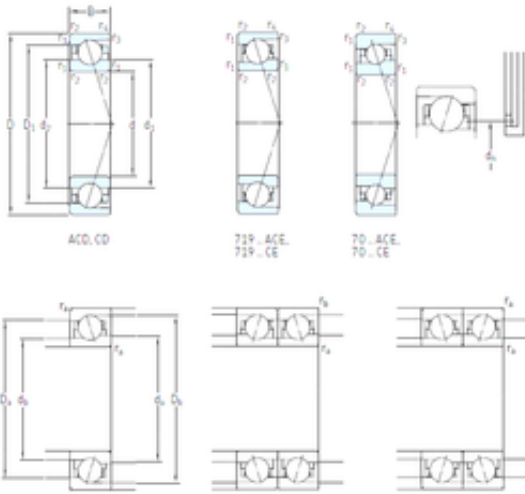




Timken MANUFACTURING (THAILAND)CO.,LTD.



50 mm x 90 mm x 20 mm SKF 7210 ACD/P4A angular contact ball bearings

Bearing No. 7210 ACD/P4A

7210 ACD/P4A Bearing 2D drawings and 3D CAD models

Size	50x90x20 mm
Bore Diameter	50 mm
Outer Diameter	90 mm
Width	20 mm
d	50 mm
D	90 mm
B	20 mm
C	20 mm
d1	62,3 mm
d2	62,3 mm
r1 min.	1,1 mm
r2 min.	1,1 mm
r3 min.	0,6 mm
r4 min.	0,6 mm
D1	77,7 mm
D2	80,7 mm
da min.	57 mm
Da max.	83 mm
db min	57 mm
ra max.	1 mm
rb max.	0,6 mm
dh	65,6 mm
Db max	85,8 mm
Weight	0,46 Kg
Basic dynamic load rating (C)	42,3 kN



Timken MANUFACTURING (THAILAND)CO.,LTD.

Basic static load rating (C0)	32,5 kN
(Grease) Lubrication Speed	14 000 r/min
(Oil) Lubrication Speed	22 000 r/min
Fatigue load limit (Pu)	1,37
Category	Precision Ball Bearings
Inventory	0.0
Manufacturer Name	SKF
Minimum Buy Quantity	N/A
Weight / Kilogram	0.479
EAN	7316570698565
Product Group	B04270
Enclosure	Open
Precision Class	ABEC 7 ISO P4
Material - Ball	Steel
Number of Bearings	1 (Single)
Contact Angle	25 Degree
Preload	None
Raceway Style	1 Rib Outer Ring
Cage Material	Phenolic
Rolling Element	Ball Bearing
Flush Ground	No
Inch - Metric	Metric
Other Features	Single Row Angular Contact Super Precision High Capacity
Long Description	50MM Bore; 90MM Outside Diameter; 20MM Width; Open Enclosure; ABEC 7 ISO P4 Precision; Steel Ball Material; 1 (Single) Bearings; 25 Degree Contact Angle; Phenolic Cage Material; 1 Rib Outer Ring Rac
Category	Precision Ball Bearings



Timken MANUFACTURING (THAILAND)CO.,LTD.

UNSPSC	31171531
Harmonized Tariff Code	8482.10.50.28
Noun	Bearing
Keyword String	Angular Contact Ball
Manufacturer URL	http://www.skf.com
Manufacturer Item Number	7210 ACD/P4A
Weight / LBS	1.047
Bore	1.969 Inch 50 Millimeter
Outside Diameter	3.543 Inch 90 Millimeter
Width	0.787 Inch 20 Millimeter
d_1	62.3 mm
d_2	62.3 mm
D_1	77.7 mm
$r_{1,2}$ min.	1.1 mm
$r_{3,4}$ min.	0.6 mm
a	26.4 mm
d_a min.	57 mm
d_b min.	57 mm
D_a max.	83 mm
D_b max.	85.8 mm
r_a max.	1 mm
r_b max.	0.6 mm
d_n	65.6 mm
Basic dynamic load rating C	42.3 kN
Basic static load rating C_0	32.5 kN
Fatigue load limit P_u	1.37 kN
Attainable speed for grease lubrication	14000 r/min
Attainable speed for oil-air lubrication	22000 r/min
Ball diameter D_w	12.7 mm
Number of balls z	15
Reference grease quantity	6.708 cm ³



Timken MANUFACTURING (THAILAND)CO.,LTD.

G_{ref}	
Preload class A G_A	265 N
Static axial stiffness, preload class A	154 N/ μ m
Preload class B G_B	530 N
Static axial stiffness, preload class B	201 N/ μ m
Preload class C G_C	1060 N
Static axial stiffness, preload class C	266 N/ μ m
Preload class D G_D	2120 N
Static axial stiffness, preload class D	359 N/ μ m
Calculation factor f	1.08
Calculation factor f_1	0.99
Calculation factor f_{2A}	1
Calculation factor f_{2B}	1.01
Calculation factor f_{2C}	1.02
Calculation factor f_{2D}	1.05
Calculation factor f_{HC}	1
Calculation factor e	0.68
Calculation factor (single, tandem) Y_2	0.87
Calculation factor (single, tandem) Y_0	0.38
Calculation factor (single, tandem) X_2	0.41
Calculation factor (back-to-back, face-to-face) Y_1	0.92
Calculation factor (back-to-back, face-to-face) Y_2	1.41
Calculation factor (back-to-back, face-to-face) Y_0	0.76
Calculation factor (back-to-back, face-to-face) X_2	0.67
Mass bearing	0.46 kg



Timken MANUFACTURING (THAILAND)CO.,LTD.