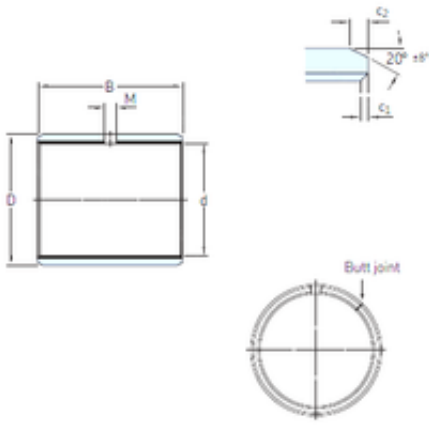




Timken MANUFACTURING (THAILAND)CO.,LTD.



160 mm x 165 mm x 100 mm SKF PCM 160165100 E plain bearings

Bearing No. PCM 160165100 E

PCM 160165100 E Bearing 2D drawings and 3D CAD models

Size	160x165x100 mm
Bore Diameter	160 mm
Outer Diameter	165 mm
Width	100 mm
d	160 mm
D	165 mm
B	100 mm
c1 min	0,2 mm
c2 min	1,2 mm
M	– mm
Weight	0,97 Kg
Basic dynamic load rating (C)	1 270 kN
Category	Plain Bearings
Inventory	0.0
Manufacturer Name	SKF
Minimum Buy Quantity	N/A
Weight / Kilogram	1.096
EAN	7316572201916
Product Group	B04264
c ₁ min.	0.2 mm
c ₁ max.	1 mm
c ₂ min.	1.2 mm
c ₂ max.	2.4 mm
± 8	20 °
Tolerance shaft	h8



Timken MANUFACTURING (THAILAND)CO.,LTD.

Tolerance housing	H7
Basic dynamic load rating - radial direction C	1270 kN
Basic static load rating - radial direction C_0	3900 kN
Specific dynamic load factor K	80 N/mm ²
Specific static load factor K_0	250 N/mm ²
Factor depending on material and bearing type K_M	480
Permissible sliding velocity v min.	0 m/s
Permissible sliding velocity v max.	2 m/s
Coefficient of friction μ min.	0.03
Coefficient of friction μ max.	0.25
Mass bushing	0.97 kg