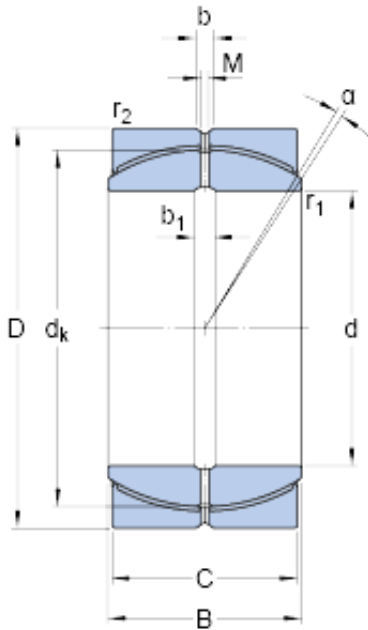




# Timken MANUFACTURING (THAILAND)CO.,LTD.



GEP 340 FS Bearing 2D drawings and 3D CAD models

340 mm x 480 mm x 243 mm SKF GEP 340 FS  
plain bearings

Bearing No. GEP 340 FS

Size	480x340x243 mm
Bore Diameter	480 mm
Outer Diameter	340 mm
Width	243 mm
d	340 mm
D	480 mm
B	243 mm
C	230 mm
	2 °
d <sub>k</sub>	434 mm
b	21 mm
b <sub>1</sub>	21 mm
M	8 mm
r <sub>1</sub> - min.	1.1 mm
r <sub>2</sub> - min.	3 mm
d <sub>a</sub> - min.	356 mm
d <sub>a</sub> - max.	359 mm
D <sub>a</sub> - min.	404 mm
D <sub>a</sub> - max.	453 mm
r <sub>a</sub> - max.	1 mm
r <sub>b</sub> - max.	3 mm
Basic dynamic load rating - C	7100 kN
Basic static load rating - C <sub>0</sub>	10800 kN
Specific factor dynamic load - K	80 N/mm <sup>2</sup>



## Timken MANUFACTURING (THAILAND)CO.,LTD.

Specific factor static load - $K_0$	120 N/mm <sup>2</sup>
Constant - $K_M$	1055
Lubricant	Maintenance free – dry lubrication
Design (sliding contact surface combination)	Steel/PTFE FRP
Sealing solution	-
	2 °
$d_k$	434 mm
$b_1$	21 mm
$r_1$ min.	1.1 mm
$r_2$ min.	3 mm
$d_a$ min.	356 mm
$d_a$ max.	359 mm
$D_a$ min.	404 mm
$D_a$ max.	453 mm
$r_a$ max.	1 mm
$r_b$ max.	3 mm
Basic dynamic load rating C	7100 kN
Basic static load rating $C_0$	10800 kN
Specific dynamic load factor K	80 N/mm <sup>2</sup>
Specific static load factor $K_0$	120 N/mm <sup>2</sup>
Material constant $K_M$	1055
Mass plain bearing	150 kg