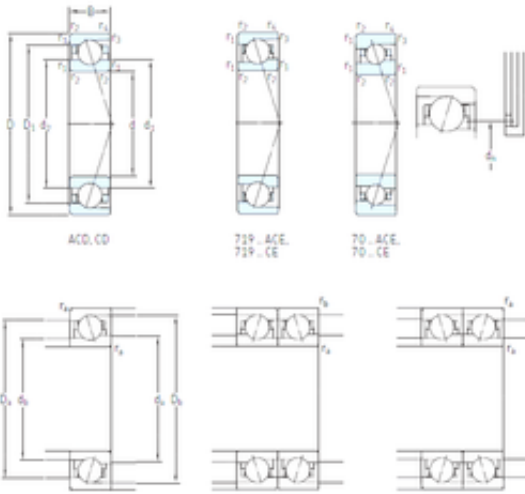




Timken MANUFACTURING (THAILAND)CO.,LTD.



170 mm x 260 mm x 42 mm SKF 7034
ACD/P4A angular contact ball bearings

Bearing No. 7034 ACD/P4A

7034 ACD/P4A Bearing 2D drawings and 3D CAD models

Size	170x260x42 mm
Bore Diameter	170 mm
Outer Diameter	260 mm
Width	42 mm
d	170 mm
D	260 mm
B	42 mm
C	42 mm
d1	198,7 mm
d2	198,7 mm
r1 min.	2,1 mm
r2 min.	2,1 mm
r3 min.	1,1 mm
r4 min.	1,1 mm
D1	231,3 mm
D2	– mm
da min.	181 mm
Da max.	249 mm
db min	181 mm
ra max.	2 mm
rb max.	1 mm
dh	205,8 mm
Db max	254 mm
Weight	7 Kg
Basic dynamic load rating (C)	199 kN



Timken MANUFACTURING (THAILAND)CO.,LTD.

Basic static load rating (C0)	232 kN
(Grease) Lubrication Speed	4 800 r/min
(Oil) Lubrication Speed	7 000 r/min
Fatigue load limit (Pu)	6,7
Category	Precision Ball Bearings
Inventory	0.0
Manufacturer Name	SKF
Minimum Buy Quantity	N/A
Weight / Kilogram	7.54
Product Group	B04270
Enclosure	Open
Precision Class	ABEC 7 ISO P4
Material - Ball	Steel
Number of Bearings	1 (Single)
Contact Angle	25 Degree
Preload	None
Raceway Style	1 Rib Outer Ring
Cage Material	Phenolic
Rolling Element	Ball Bearing
Flush Ground	No
Inch - Metric	Metric
Other Features	Single Row Angular Contact High Precision
Long Description	170MM Bore; 260MM Outside Diameter; 42MM Width; Open Enclosure; ABEC 7 ISO P4 Precision; Steel Ball Material; 1 (Single) Bearings; 25 Degree Contact Angle; Phenolic Cage Material; 1 Rib Outer Ring R
Category	Precision Ball Bearings
UNSPSC	31171531
Harmonized Tariff Code	8482.10.50.28



Timken MANUFACTURING (THAILAND)CO.,LTD.

Noun	Bearing
Keyword String	Angular Contact Ball
Manufacturer URL	http://www.skf.com
Manufacturer Item Number	7034 ACD/P4A
Weight / LBS	16.601
Outside Diameter	10.236 Inch 260 Millimeter
Bore	6.693 Inch 170 Millimeter
Width	1.654 Inch 42 Millimeter
d_1	198.7 mm
d_2	198.7 mm
D_1	231.3 mm
$r_{1,2}$ min.	2.1 mm
$r_{3,4}$ min.	1.1 mm
a	71.4 mm
d_a min.	181 mm
d_b min.	181 mm
D_a max.	249 mm
D_b max.	254 mm
r_a max.	2 mm
r_b max.	1 mm
d_n	205.8 mm
Basic dynamic load rating C	199 kN
Basic static load rating C_0	232 kN
Fatigue load limit P_u	6.7 kN
Attainable speed for grease lubrication	4800 r/min
Attainable speed for oil-air lubrication	7000 r/min
Ball diameter D_w	26.988 mm
Number of balls z	22
Reference grease quantity G_{ref}	84 cm ³
Preload class A G_A	1250 N



Timken MANUFACTURING (THAILAND)CO.,LTD.

Static axial stiffness, preload class A	433 N/ μ m
Preload class B G_B	2500 N
Static axial stiffness, preload class B	563 N/ μ m
Preload class C G_C	5000 N
Static axial stiffness, preload class C	744 N/ μ m
Preload class D G_D	10000 N
Static axial stiffness, preload class D	1003 N/ μ m
Calculation factor f	1.14
Calculation factor f_1	0.99
Calculation factor f_{2A}	1
Calculation factor f_{2B}	1.02
Calculation factor f_{2C}	1.05
Calculation factor f_{2D}	1.08
Calculation factor f_{HC}	1
Calculation factor e	0.68
Calculation factor (single, tandem) Y_2	0.87
Calculation factor (single, tandem) Y_0	0.38
Calculation factor (single, tandem) X_2	0.41
Calculation factor (back-to-back, face-to-face) Y_1	0.92
Calculation factor (back-to-back, face-to-face) Y_2	1.41
Calculation factor (back-to-back, face-to-face) Y_0	0.76
Calculation factor (back-to-back, face-to-face) X_2	0.67
Mass bearing	6.99 kg