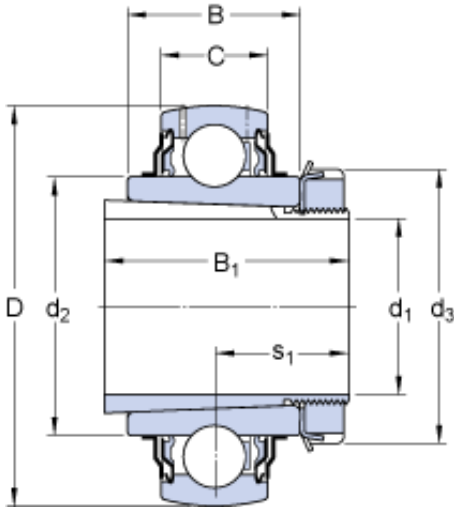




Timken MANUFACTURING (THAILAND)CO.,LTD.



30 mm x 72 mm x 30.5 mm SKF YSA 207-2FK
+ H 2307 deep groove ball bearings

Bearing No. YSA 207-2FK + H 2307

YSA 207-2FK + H 2307 Bearing 2D drawings and 3D CAD models

Size	72x30x43 mm
Bore Diameter	72 mm
Outer Diameter	30 mm
Width	43 mm
d_1	30 mm
D	72 mm
B_1	43 mm
B	30.5 mm
C	19 mm
d_2	46.1 mm
d_3	52 mm
s_1 - ?	24.8 mm
Basic dynamic load rating - C	25.5 kN
Basic static load rating - C_0	15.3 kN
Fatigue load limit - P_u	0.655 kN
Limiting speed	5300 r/min
Calculation factor - f_0	14
d	30 mm
B_1	43 mm
d_1	46.1 mm
d_3	52 mm
s_1	24.8 mm
Basic dynamic load rating C	25.5 kN
Basic static load rating C_0	15.3 kN



Timken MANUFACTURING (THAILAND)CO.,LTD.

Fatigue load limit P_u	0.655 kN
Limiting speed ¹⁾	5300 r/min
Calculation factor f_0	14
Mass bearing + adapter sleeve	0.54 kg
Associated spanner	HN 7
Recommended lock nut tightening angle	100 °