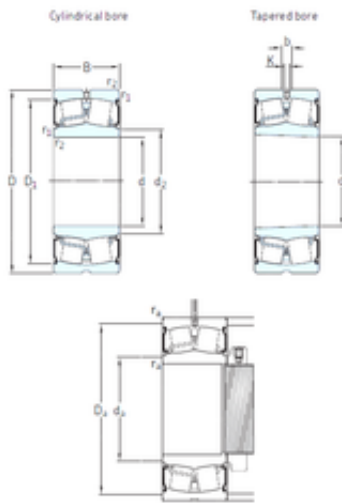




# Timken MANUFACTURING (THAILAND)CO.,LTD.



110 mm x 170 mm x 45 mm SKF  
23022-2CS/VT143 spherical roller bearings

Bearing No. 23022-2CS/VT143

23022-2CS/VT143 Bearing 2D drawings and 3D CAD models

Size	110x170x45 mm
Bore Diameter	110 mm
Outer Diameter	170 mm
Width	45 mm
d	110 mm
D	170 mm
B	45 mm
C	45 mm
b	6 mm
d2	122 mm
r1 min.	2 mm
r2 min.	2 mm
D1	157 mm
K	3 mm
da min.	119 mm
da max	122 mm
Da max.	161 mm
ra max.	2 mm
Weight	3,8 Kg
Basic dynamic load rating (C)	310 kN
Basic static load rating (C0)	440 kN
Fatigue load limit (Pu)	46,5
Limiting speed	900 r/min
Calculation factor (e)	0,23
Calculation factor (Y0)	2,8



## Timken MANUFACTURING (THAILAND)CO.,LTD.

Calculation factor (Y1)	2,9
Category	Bearings
Inventory	0.0
Manufacturer Name	SKF
Minimum Buy Quantity	N/A
UNSPSC	31171510
Weight / Kilogram	0
EAN	7316574461929
Product Group	B04311