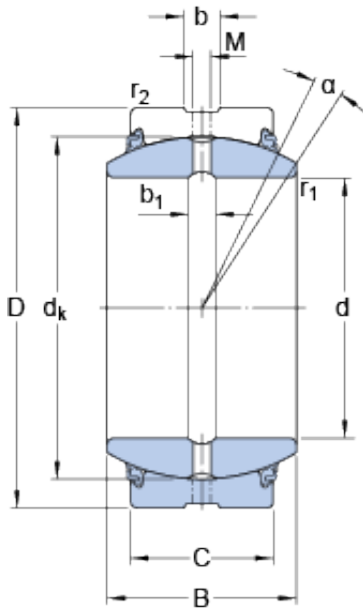




Timken MANUFACTURING (THAILAND)CO.,LTD.



GE 70 ESX-2LS Bearing 2D drawings and 3D CAD models

70 mm x 105 mm x 49 mm SKF GE 70 ESX-2LS
plain bearings

Bearing No. GE 70 ESX-2LS

Size	105x70x49 mm
Bore Diameter	105 mm
Outer Diameter	70 mm
Width	49 mm
d	70 mm
D	105 mm
B	49 mm
C	40 mm
	6 °
d _k	92 mm
b	7.7 mm
b ₁	7.7 mm
M	4 mm
r ₁ - min.	1 mm
r ₂ - min.	1 mm
d _a - min.	76.7 mm
d _a - max.	77.9 mm
D _a - min.	92 mm
D _a - max.	99 mm
r _a - max.	1 mm
r _b - max.	1 mm
Basic dynamic load rating - C	465 kN
Basic static load rating - C ₀	1560 kN
Specific factor dinamic load - K	150 N/mm ²



Timken MANUFACTURING (THAILAND)CO.,LTD.

Specific factor static load - K_0	500 N/mm ²
Constant - K_M	330
Lubricant	Maintenance free – greased for life
Design (sliding contact surface combination)	Steel/steel
Sealing solution	Triple-lip seals
	6 °
d_k	92 mm
b_1	7.7 mm
r_1 min.	1 mm
r_2 min.	1 mm
d_a min.	76.7 mm
d_a max.	77.9 mm
D_a min.	92 mm
D_a max.	99 mm
r_a max.	1 mm
r_b max.	1 mm
Basic dynamic load rating C	465 kN
Basic static load rating C_0	1560 kN
Specific dynamic load factor K	150 N/mm ²
Specific static load factor K_0	500 N/mm ²
Material constant K_M	330
Mass plain bearing	1.55 kg