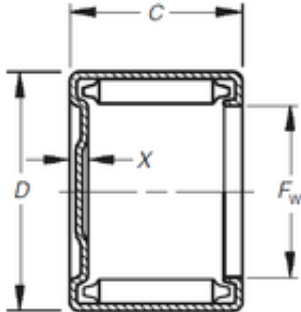




# Timken MANUFACTURING (THAILAND)CO.,LTD.

## Timken M-15161 needle roller bearings



Bearing No. M-15161

|                               |                       |
|-------------------------------|-----------------------|
| Size                          | 23.813x30.163x25.4 mm |
| Bore Diameter                 | 23,813 mm             |
| Outer Diameter                | 30,163 mm             |
| Width                         | 25,4 mm               |
| F <sub>w</sub>                | 23,813 mm             |
| D                             | 30,163 mm             |
| C                             | 25,4 mm               |
| C1                            | 2,29 mm               |
| Weight                        | 0,045 Kg              |
| Basic dynamic load rating (C) | 32,8 kN               |
| Basic static load rating (C0) | 69,39 kN              |
| (Grease) Lubrication Speed    | 3000 r/min            |

M-15161 Bearing 2D drawings and 3D CAD models