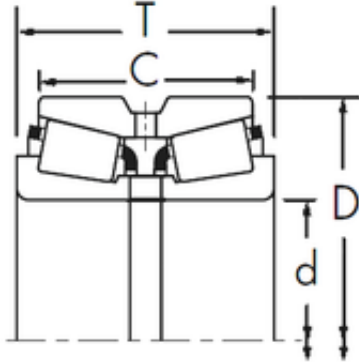




Timken MANUFACTURING (THAILAND)CO.,LTD.

Timken L319249/L319210D+L319249XB tapered roller bearings

Bearing No. L319249/L319210D+L319249XB



L319249/L319210D+L319249XB Bearing 2D drawings
and 3D CAD models

Size	95.25x130.175x47.622 mm
Bore Diameter	95,25 mm
Outer Diameter	130,175 mm
Width	47,622 mm
d	95,25 mm
D	130,175 mm
T	47,622 mm
C	39,688 mm
R	1,5 mm
r	0,8 mm